



6kVA 220V Capacitor Manual Start

6 kVA 220V A.V.R. Manual Start

6 kVA 400V A.V.R Manual Start

7 kVA 220V Welder Generator

VERT ENERGY

POWER PRODUCTS: TECHNICAL DATA SHEETS

HONDA GENERATORS

HONDA

ABOUT THE COMPANY



Southern Africa's leading supplier of Electro-Mechanical Power Generation & Transmission Products

Situated in Southern Africa's economic and industrial hub, Johannesburg, Vert Energy is well placed to service and support the region with the following range of products:

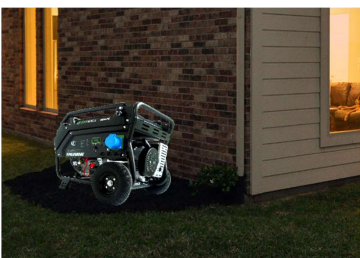
- Electric Motors and Drives
- Power Generation Products
- Portable Power Products
- Service and Support.

Make the decision and experience pure energy today.

WATER PUMPS



GENERATORS



TRASH PUMPS



LIGHTING TOWERS



AGRICULTURE | MINING | CONSTRUCTION | RENTAL

INDEX	PAGE
Honda Generator Range	4
6 kVA 220V Capacitor Specification Data & Images	5 - 6
6 kVA 220V A.V.R Specification Data & Images	7 - 8
6 kVA 400V A.V.R Specification Data & Images	9 - 10
7 kVA 220V Welder Generator Specification Data & Images	11 - 12
Honda Engine Specifications	
Honda GX390 Specification Data & Drawings	13 - 14
NSM Alternator Specifications	
NSM K100G Specification Data & Drawings	15 - 16
NSM KR100G Specification Data & Drawings	17 - 18
NSM ZR100SC Specification Data & Drawings	19 - 20
NSM WS200AC Specification Data & Drawings	21 - 22
Spare Parts	23
Contact Us	24

Specifications subject to change without prior notice.
E. & E.O.



HONDA POWERED GASOLINE GENERATORS

Model: VPPHG P 6000M 220V SF

HONDA



GASOLINE POWERED GENERATOR: OVERVIEW

6 kVA 220V with Capacitor

Low Fuel Consumption, High Durability

Technical Features

Frequency:	50 Hz
Rated AC Output:	5.5 kVA / 3000 RPM
Maximum AC Output:	6 kVA / 3600 RPM 60Hz
Power Factor:	1
AC Output Voltage:	220 V
Alternator:	NSM K100G (Capacitor)
Engine:	GX390
Engine Type:	Air cooled 4-stroke OHV petrol engine, 25° inclined cylinder, horizontal shaft, cast iron sleeve.
Displacement:	389 cc
Maximum Output:	8.7 kW / 3600 RPM
Fuel Type:	Unleaded Gasoline
Fuel Tank Capacity:	6.1 ltr
Continuous Work:	1 hr 40 min
Oil Tank Capacity:	1.1 ltr
Starting Systems:	Manual Recoil Start
Generator Frame:	Powder Coated Steel Frame

Packaging, Weights and Dimensions

Dimensions:	(L X W X H)	815 x 498 x 548 mm
Dry Weights:	(kg)	67

HONDA POWERED GASOLINE GENERATORS

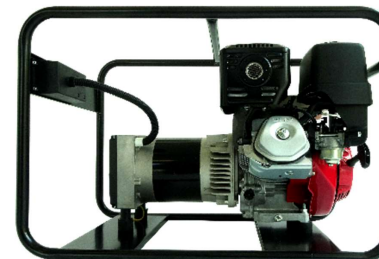
Model: VPPHG P 6000M 220V SF



Side View



Back View



Side View



Operational View Electrical Panel

HONDA POWERED GASOLINE GENERATORS

Model: VPPHG P 6000M 220V AVR SF

HONDA



GASOLINE POWERED GENERATOR: OVERVIEW

6 kVA 220V with A.V.R

Low Fuel Consumption, High Durability

Technical Features

Frequency:	50 Hz
Rated AC Output:	5.5 kVA / 3000RPM
Maximum AC Output:	6 kVA / 3600 RPM 60 Hz
Power Factor:	1
AC Output Voltage:	220 V
Alternator:	NSM KR100G (A.V.R)
Engine:	GX390
Engine Type:	Air cooled 4-stroke OHV petrol engine, 25° inclined cylinder, horizontal shaft, cast iron sleeve.
Displacement:	389 cc
Maximum Output:	8.7 kW / 3600 RPM
Fuel Type:	Gasoline
Fuel Tank Capacity:	6.1 ltr
Continuous Work:	1 hr 40 min
Oil Tank Capacity:	1.1 ltr
Starting Systems:	Manual Recoil Start
Generator Frame:	Steel Frame

Packaging, Weights and Dimensions

Dimensions:	(L X W X H)	815 x 498 x 548 mm
Dry Weights:	(kg)	67

HONDA POWERED GASOLINE GENERATORS

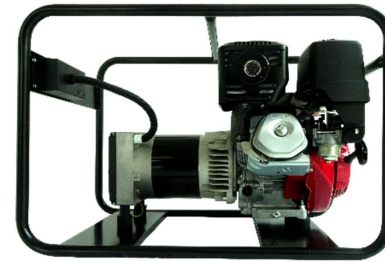
Model: VPPHG P 6000M 220V AVR SF



Side View



Back View



Side View



Operational View Electrical Panel

HONDA POWERED GASOLINE GENERATORS

Model: VPPHG P 6000M 400V AVR SF

HONDA



GASOLINE POWERED GENERATOR: OVERVIEW

6 kVA 400V with A.V.R

Low Fuel Consumption, High Durability

Technical Features

Frequency:	50 Hz
Rated AC Output:	5.5 kVA / 3000 RPM
Maximum AC Output:	6 kVA / 3600 RPM 60Hz
Power Factor:	0.8
AC Output Voltage:	400 V
Alternator:	NSM ZR100SC (A.V.R)
Engine:	GX390
Engine Type:	Air cooled 4-stroke OHV petrol engine, 25° inclined cylinder, horizontal shaft, cast iron sleeve.
Displacement:	389 cc
Maximum Output:	8.7 kW / 3600 RPM
Fuel Type:	Gasoline
Fuel Tank Capacity:	6.1 ltr
Continuous Work:	1 hr 40 min
Oil Tank Capacity:	1.1 ltr
Starting Systems:	Manual Recoil Start
Generator Frame:	Steel Frame

Packaging, Weights and Dimensions

Dimensions:	(L X W X H)	815 x 498 x 548 mm
Dry Weights:	(kg)	67

HONDA POWERED GASOLINE GENERATORS

Model: VPPHG P 6000M 400V AVR SF



Side View



Back View



Side View



Operational View Electrical Panel

HONDA POWERED GASOLINE WELDER GENERATORS

Model: VPPHGW P 6000M 220V 200A SFW



HONDA

GASOLINE POWERED WELDER GENERATOR: OVERVIEW

VPPHGW P 6000M 220V 200A SFW / 7kVA Welder Generator 220V 200A

Low Fuel Consumption, High Durability

Technical Features

Maximum Rated Current:	200 A @ 35% and 180A @ 60% Duty Cycle
Rated AC Output:	6 kVA / 3000 RPM
Power Factor:	1
Welding Voltage:	45 - 60 V
AC Voltage:	220 V
Alternator:	NSM WS200AC
Engine:	GX 390
Engine Type:	Four-Stroke, Air-Cooled, OHV Petrol Engines
Displacement:	389 cc
Maximum Output:	8.7 kVA / 3600 RPM
Fuel Type:	Gasoline
Fuel Tank Capacity:	6.1 ltr
Continuous Work:	1 hr 30 min
Oil Capacity:	1.1 ltr
Starting Systems:	Manual Recoil Start
Welder Frame:	Steel Frame with Wheels

Packaging, Weights and Dimensions

Dimensions:	(L X W X H)	815 x 574 x 563 mm
Dry Weights:	(kg)	98

HONDA POWERED GASOLINE GENERATORS

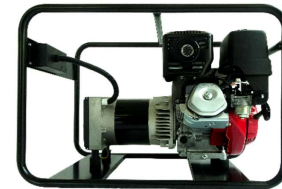
Model: VPPHGW P 6000M 220V 200A SFW



Side View



Back View



Side View



Operational View Electrical Panel

HONDA GASOLINE ENGINES

Model: GX 390

HONDA



GASOLINE ENGINES: OVERVIEW

GX 390 8.7 kW

Horizontal Shaft,

Technical Features

Engine Model:	GX 390
Type:	Air cooled 4-stroke OHV petrol engine, 25° inclined cylinder, horizontal shaft, cast iron sleeve
Bore x Stroke:	88 x 65 mm
Displacement:	389 cc
Maximum Net Output kW / RPM:	8.7 kW / 3600 RPM
Continues Rated Power:	7.0 kW / 3600 RPM
Compression Ratio:	8.2:1
Ignition System:	Digital CDI with variable ignition timing
Starting System:	Recoil Starter
Fuel Tank Capacity:	6.1 ltr
Oil Capacity:	1.1 ltr
Fuel Consumption:	3.5 ltr / hr @ 3600 RPM

Mounting Configurations

Standard V-Type Tapered Shaft, J609B Generator Spec

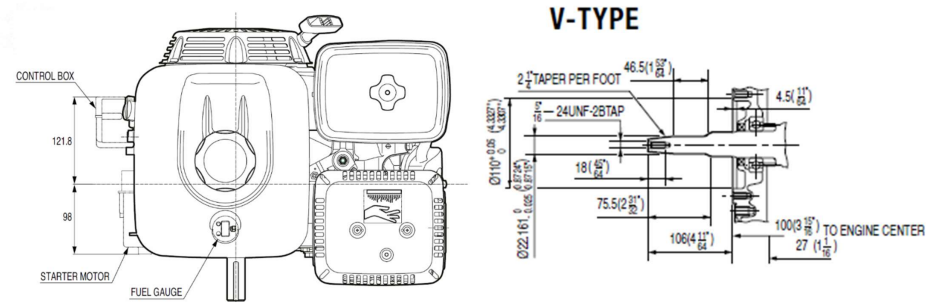
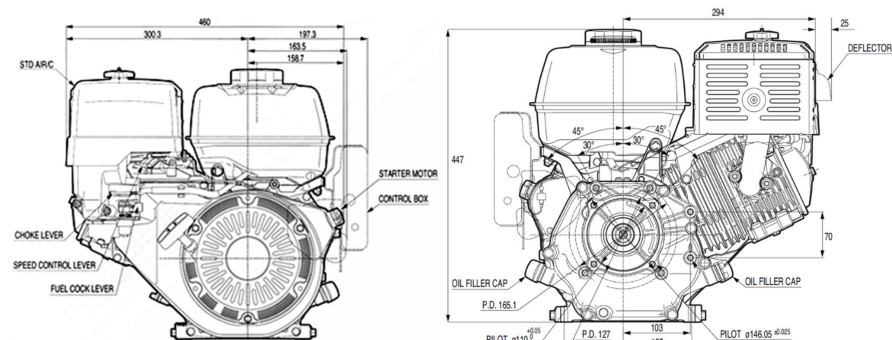
Packaging, Weights and Dimensions

Dimensions:	(L X W X H)	406 x 460 x 448 mm
Dry Weights:	(kg)	31.7

HONDA GASOLINE ENGINES

Model: GX 390

DRAWING



NSM 2 Pole 6kVA
Model: K100G

SINGLE PHASE CAPACITOR



SINGLE-PHASE ALTERNATORS 2 POLE: OVERVIEW

K100G 6kVA

Brushless, with capacitor

Technical Features

Power Range (Elec) 50Hz:	6 kVA (Prime Rated)
Power Range (Mech) 50Hz:	7.3 kW Input Power @ 76% Efficiency (Prime Rated) pf 1.0
Standard Voltages 50Hz:	220 V / 240V
Voltages Accuracy:	± 2% (regardless of cosφ)
Insulation Class:	Class "H"
Protection:	IP23
T.H.D.:	<6%
Good Starting Capacity:	(Icc >3In)

Mounting Configurations

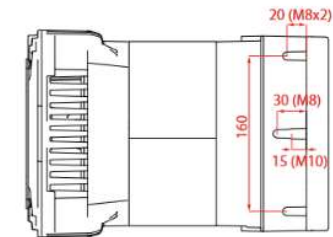
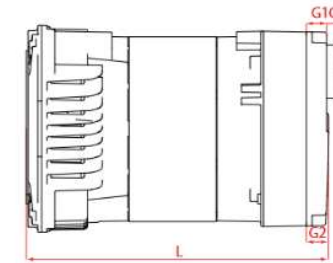
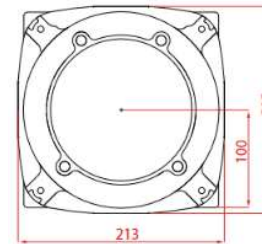
Standard	J609B Taper Shaft
----------	-------------------

Packaging, Weights and Dimensions

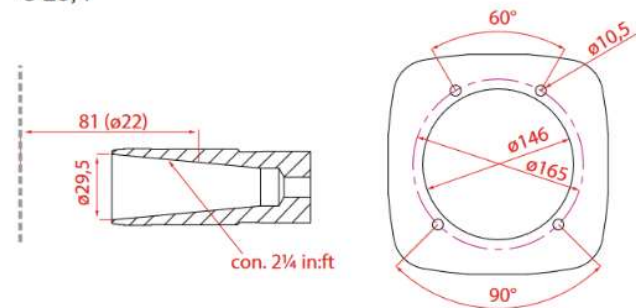
Dimensions: (L X W X H)	345 x 213 x 213
Weight: (kg)	25

NSM 2 Pole 6kVA
Model: K100G

DRAWINGS



J609b
C 22
C 25,4



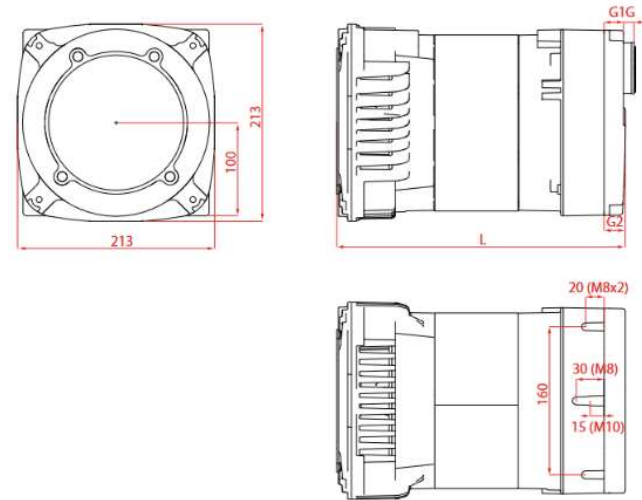
NSM 2 Pole 6kVA
Model: KR100G

SINGLE PHASE AVR



NSM 2 Pole 6kVA
Model: KR100G

DRAWINGS



SINGLE-PHASE ALTERNATORS 2 POLE: OVERVIEW

KR100G 6 kVA

Brush, with Automatic Voltage Regulator

Technical Features

Power Range (Elec) 50hz:	6 kVA (Prime Rated)
Power Range (Mech) 50hz:	7.8 kW Input Power @ 77% Efficiency (Prime Rated) pF 1.0
Standard Voltages 50hz:	230 V / 240 V
Voltages Accuracy:	-5%, -10% (cosφ = 1)
Insulation Class:	Class "H"
Protection:	IP23
T.H.D.:	<6%
Good Starting Capacity:	(Icc >3In)
Automatic Voltage Regulator:	AVR520

Mounting Configurations

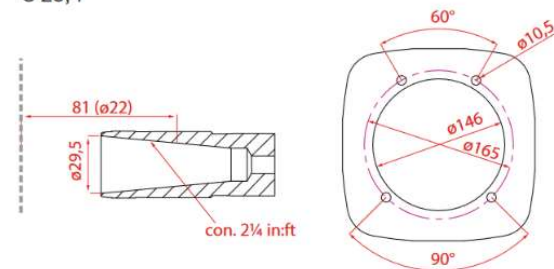
Standard	J609B Taper Shaft
----------	-------------------

Packaging, Weights and Dimensions

Dimensions:	(L X W X H)	392 x 213 x 213
Weight:	(kg)	25

J609b

C 22
C 25,4



NSM 2 Pole 7kVA

Model: ZR100SC

THREE PHASE WITH AVR



THREE-PHASE ALTERNATORS 2 POLE: OVERVIEW

ZR100SC 7kVA

Brushless, with Automatic Voltage Regulator

Technical Features

Power Range (Elec) 50hz:	7 kVA (Prime Rated)
Power Range (Mech) 50hz:	6.9 kW Input Power @ 81% Efficiency (Prime Rated) pF 0.8
Standard Voltages 50hz:	230 V / 400 V
Voltages Accuracy:	± 6% (cos φ = 0.9)
Insulation Class:	Class "H"
Protection:	IP23
T.H.D:	<6%
Good Starting Capacity:	(Icc >4In)
Automatic Voltage Regulator:	AVR960D

Mounting Configurations

Standard	J609B Taper Shaft
----------	-------------------

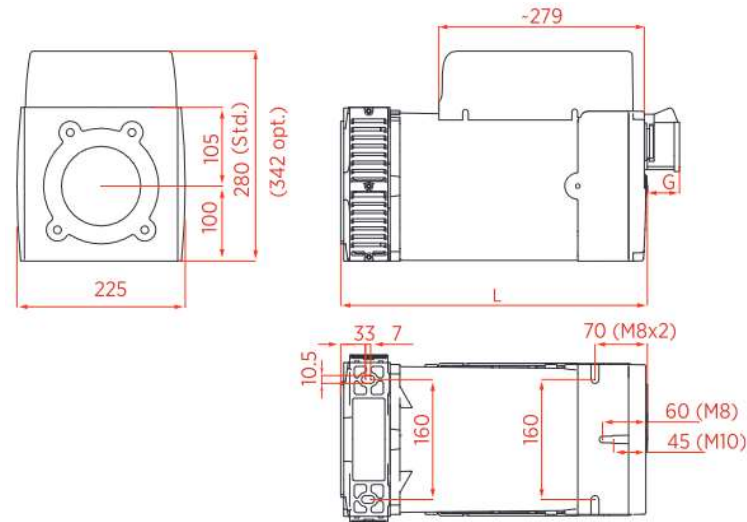
Packaging, Weights and Dimensions

Dimensions:	(L X W X H)	345 x 225 x 342
Weights	(kg)	27

NSM 2 Pole 7kVA

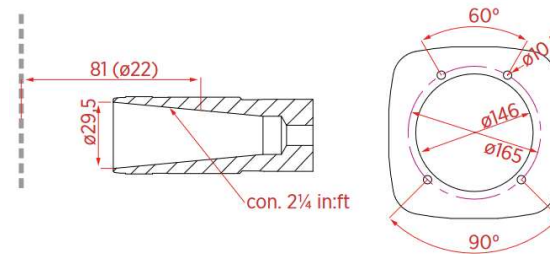
Model: ZR100SC

DRAWINGS



J609b

- C 22
- C 25,4
- C 35



NSM 2 Pole 7kVA

Model: WS200AC

WELDER GENERATOR



SINGLE-PHASE ALTERNATORS 2 POLE: OVERVIEW

WS200AC 7kVA

Brushless Alternator

Technical Features

Power Range (Elec) 50hz:	7 kVA (Prime Rated)
Welding Current > Driving Power:	180A (ø-4mm) > 7.5 kW (10HP) 200A (ø-4mm) > 9.0 kW
Duty:	180A - 35%, 200A - 35%
Strike Voltages:	45 - 60 V
Insulation Class:	Class "H"
Protection:	IP23
T.H.D:	<6%

Mounting Configurations

Standard	J609B Taper Shaft
----------	-------------------

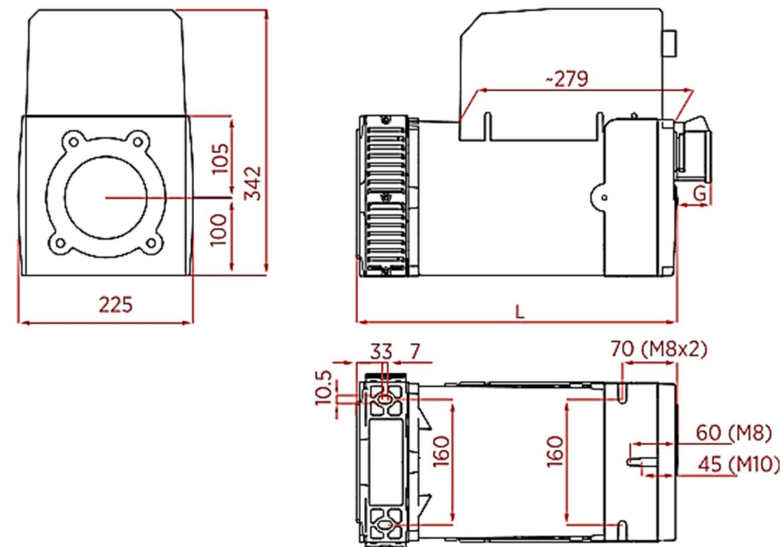
Packaging, Weights and Dimensions

Dimensions:	(L X W X H)	410 x 225 x 342
Weight:	(kg)	44

NSM 2 Pole 7kVA

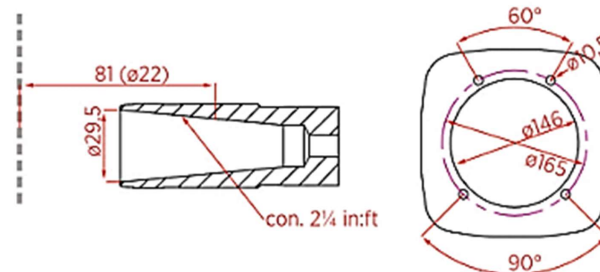
Model: WS200AC

DRAWINGS



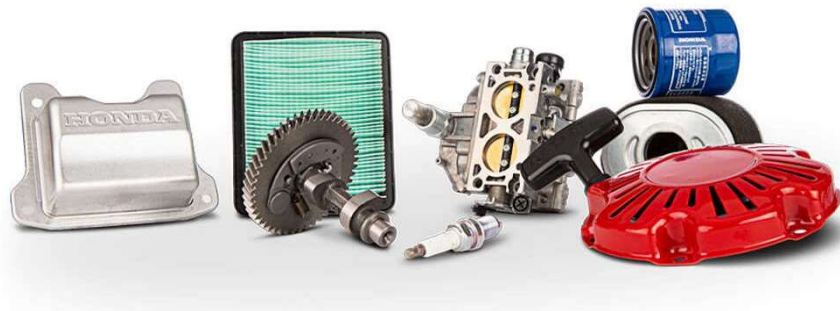
J609b

- C 22
- C 25,4
- C 35



SPARE PARTS

Full range of Honda spare parts available



VERT ENERGY AFRICA

Head Office
11 Voyager Street
Linbro Park, Sandton
Johannesburg

Contact: info@vertgroup.co.za

Phone: -27 11 453 9669
Fax: -27 11 453 4531

